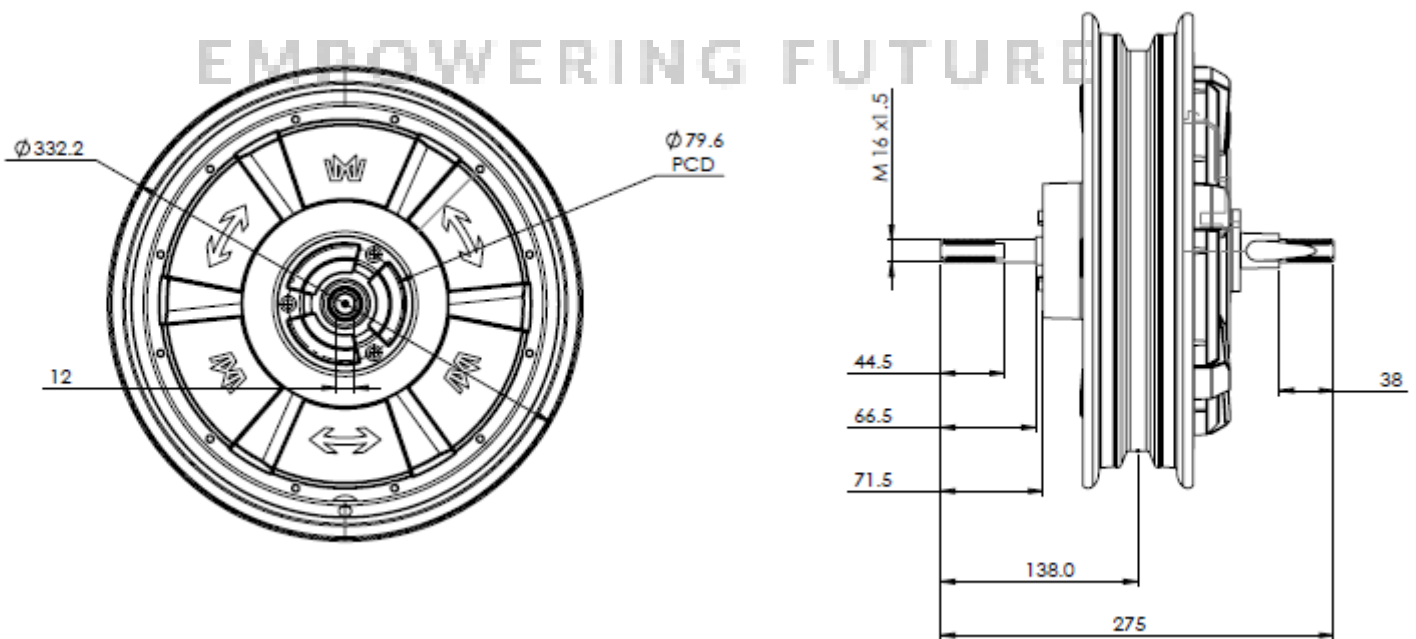
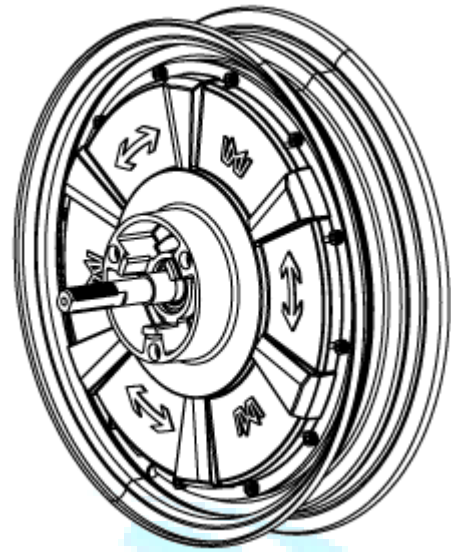


Product Features

Application : - 2-Wheeler
 Motor Type : - Hub Motor

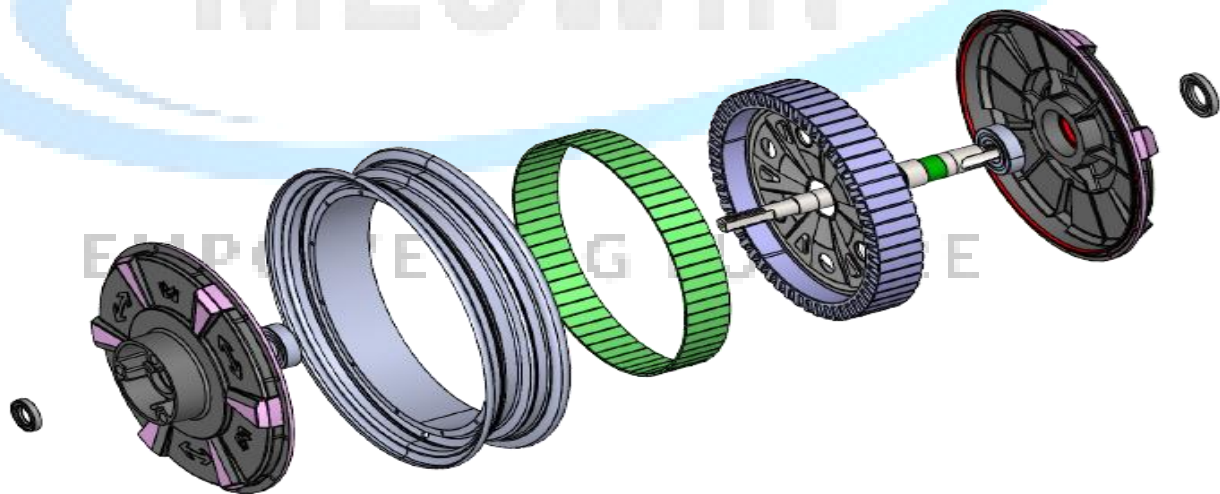
Motor Specifications

Outer Diameter : - 332 mm
 Shaft Length : - 275 mm
 Brake Type : - Disc Brake
 Sing arm Length :- 192.5mm
 IP Level : - IP67



Motor Specification

| | |
|---------------------|---------|
| Operating Voltage | 72 V |
| Rated Power | 1.5 kW |
| Peak Power | 2.8 kW |
| Rated Torque | 24 Nm |
| Peak Torque@100 RPM | 108 Nm |
| Max DC Current | 50 A |
| Max Speed | 740 Rpm |

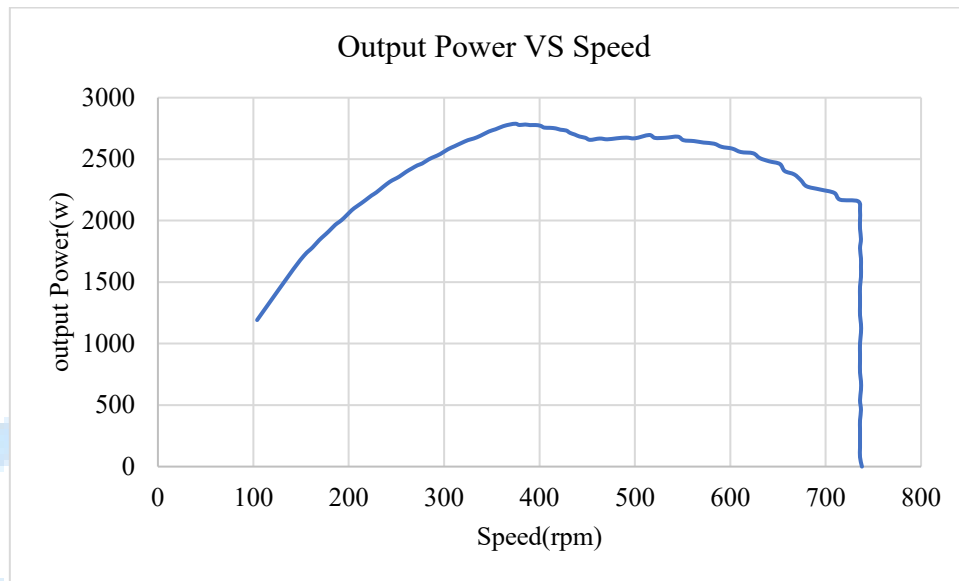


Performance Details

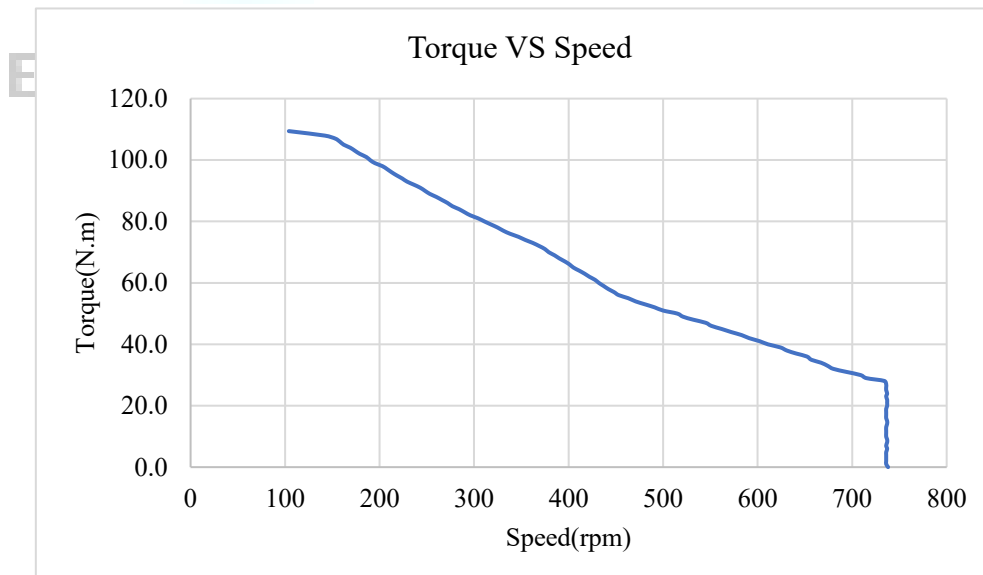
| Parameters | DC Voltage | DC Current | RMS Line to Line Voltage | RMS Line Current | Input Power | Torque | Speed | Output power | System Efficiency |
|------------------|------------|------------|--------------------------|------------------|-------------|--------|-------|--------------|-------------------|
| | V | A | V | A | W | Nm | RPM | W | % |
| No Load | 72 | 2.96 | 47.07 | 11.45 | 213 | 0.0 | 740 | 0 | 0.0 |
| Max Torque | 72 | 47.97 | 17.81 | 108.96 | 3454 | 108.0 | 142 | 1605 | 46.5 |
| Max Input Power | 72 | 49.96 | 30.8 | 75.08 | 3597 | 72.16 | 367 | 2773 | 85.95 |
| Max Output Power | 72 | 49.81 | 32.06 | 73.92 | 3586 | 71.0 | 375 | 2788 | 77.7 |
| Max Efficiency | 72 | 38.9 | 47.1 | 40.44 | 2801 | 36.0 | 652 | 2461 | 88.0 |

Performance Curves

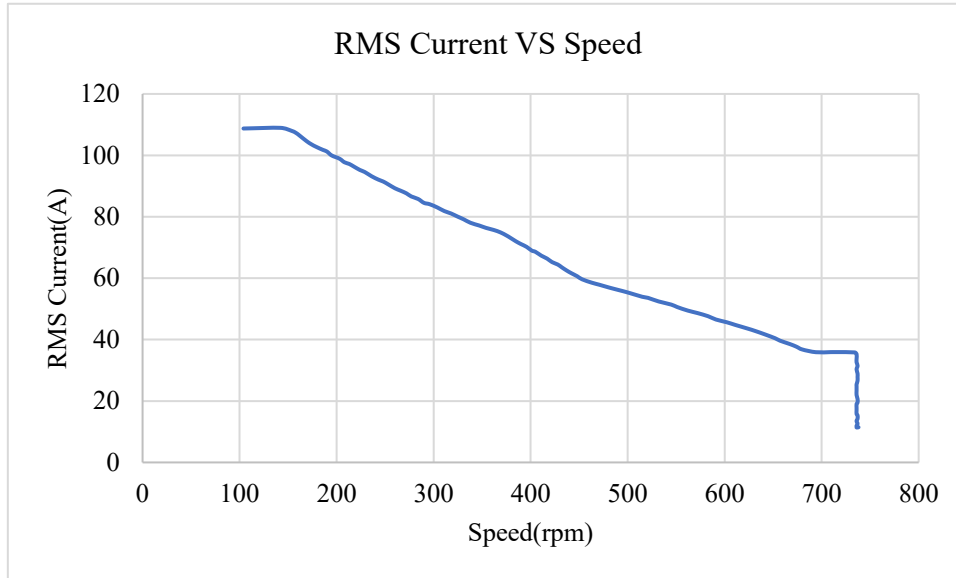
Output Power Vs Speed



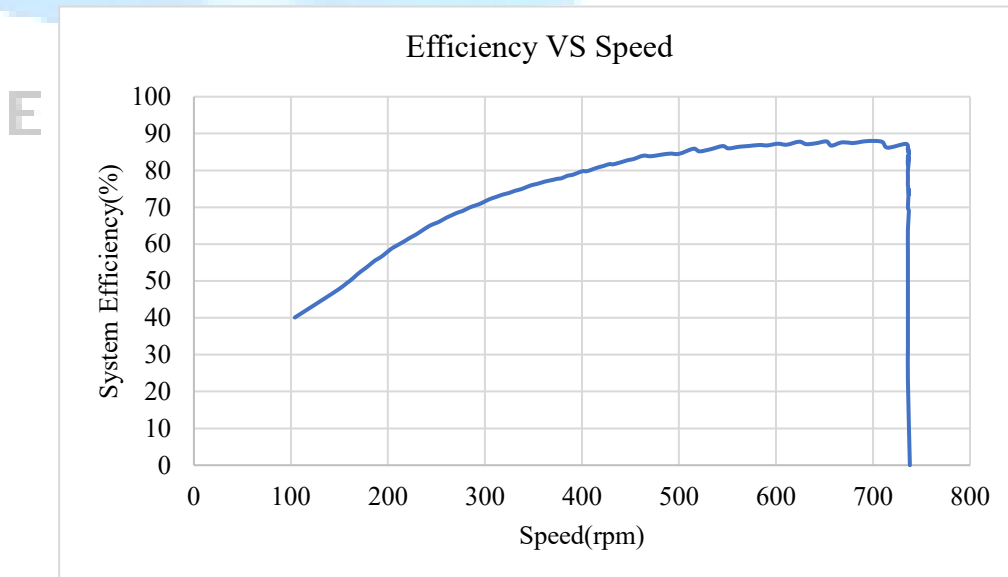
Torque Vs Speed



Current Vs Speed



Efficiency Vs Speed



Load Test Data

| DC Voltage | DC Current | RMS line to line Voltage | RMS line Current | Input Power | Torque | Speed | Output Power | System Efficiency |
|------------|------------|--------------------------|------------------|-------------|--------|-------|--------------|-------------------|
| v | A | V | A | W | N-m | Rpm | W | % |
| 72 | 2.96 | 47.07 | 11.45 | 213 | 0.0 | 740 | 0 | 0.0 |
| 72 | 4.63 | 46.91 | 11.38 | 333 | 1.0 | 736 | 76 | 22.9 |
| 72 | 6.94 | 46.74 | 11.80 | 500 | 2.9 | 736 | 226 | 45.2 |
| 72 | 9.29 | 46.59 | 12.60 | 669 | 6.0 | 737 | 461 | 68.9 |
| 72 | 10.71 | 46.57 | 13.48 | 771 | 7.0 | 736 | 540 | 70.0 |
| 72 | 17.42 | 46.35 | 19.00 | 1254 | 13.0 | 736 | 1004 | 80.0 |
| 72 | 19.27 | 46.28 | 20.65 | 1387 | 15.0 | 737 | 1159 | 83.6 |
| 72 | 22.10 | 46.24 | 23.37 | 1591 | 17.0 | 736 | 1307 | 82.2 |
| 72 | 26.57 | 46.23 | 27.78 | 1913 | 21.1 | 737 | 1625 | 85.0 |
| 72 | 30.10 | 46.04 | 31.49 | 2167 | 24.0 | 737 | 1851 | 85.4 |
| 72 | 34.37 | 46.00 | 35.83 | 2475 | 28.1 | 734 | 2158 | 87.2 |
| 72 | 35.22 | 46.20 | 35.92 | 2536 | 30.0 | 709 | 2226 | 87.8 |
| 72 | 36.21 | 46.70 | 36.78 | 2607 | 32.0 | 680 | 2279 | 87.4 |
| 72 | 37.69 | 46.87 | 38.57 | 2714 | 34.0 | 667 | 2376 | 87.6 |
| 72 | 38.90 | 47.10 | 40.44 | 2801 | 36.0 | 652 | 2461 | 87.9 |
| 72 | 39.99 | 46.49 | 42.86 | 2879 | 38.0 | 631 | 2508 | 87.1 |
| 72 | 41.17 | 45.55 | 45.66 | 2964 | 41.0 | 602 | 2586 | 87.2 |
| 72 | 43.03 | 43.19 | 51.40 | 3098 | 47.0 | 545 | 2683 | 86.6 |
| 72 | 43.89 | 40.79 | 55.36 | 3160 | 51.0 | 500 | 2670 | 84.5 |
| 72 | 45.27 | 36.57 | 61.62 | 3259 | 58.0 | 442 | 2684 | 82.4 |
| 72 | 47.65 | 34.47 | 67.34 | 3431 | 64.0 | 411 | 2755 | 80.3 |
| 72 | 48.97 | 33.09 | 71.12 | 3526 | 68.0 | 390 | 2777 | 78.8 |
| 72 | 49.81 | 32.06 | 73.92 | 3586 | 71.0 | 375 | 2788 | 77.7 |
| 72 | 49.90 | 30.64 | 76.38 | 3593 | 74.0 | 354 | 2743 | 76.4 |
| 72 | 49.80 | 28.66 | 80.02 | 3593 | 78.0 | 325 | 2655 | 73.9 |
| 72 | 49.74 | 27.71 | 81.86 | 3581 | 80.0 | 311 | 2605 | 72.8 |
| 72 | 49.68 | 26.74 | 84.08 | 3577 | 82.0 | 296 | 2542 | 71.1 |
| 72 | 49.46 | 22.44 | 95.24 | 3561 | 94.0 | 224 | 2205 | 61.9 |
| 72 | 49.35 | 21.23 | 98.91 | 3553 | 98.0 | 203 | 2084 | 58.6 |
| 72 | 49.27 | 19.85 | 102.76 | 3547 | 102.0 | 179 | 1912 | 53.9 |
| 72 | 49.14 | 18.46 | 108.05 | 3538 | 107.0 | 153 | 1714 | 48.5 |
| 72 | 41.31 | 14.98 | 108.74 | 2974 | 109.4 | 104 | 1192 | 40.1 |



EMPOWERING FUTURE