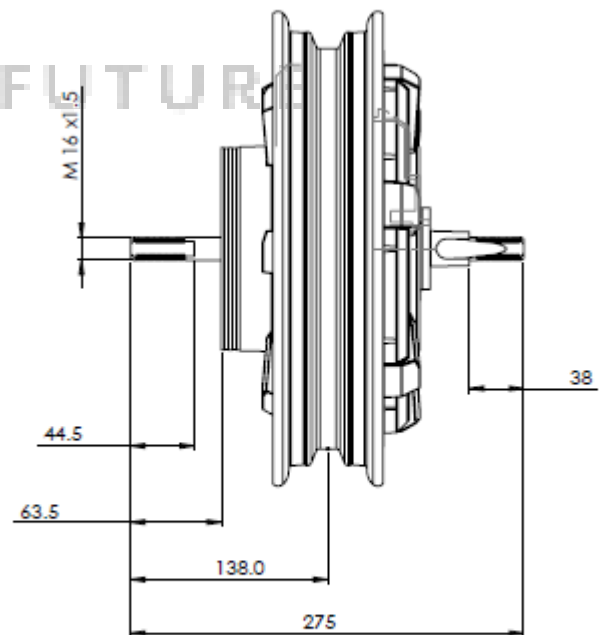
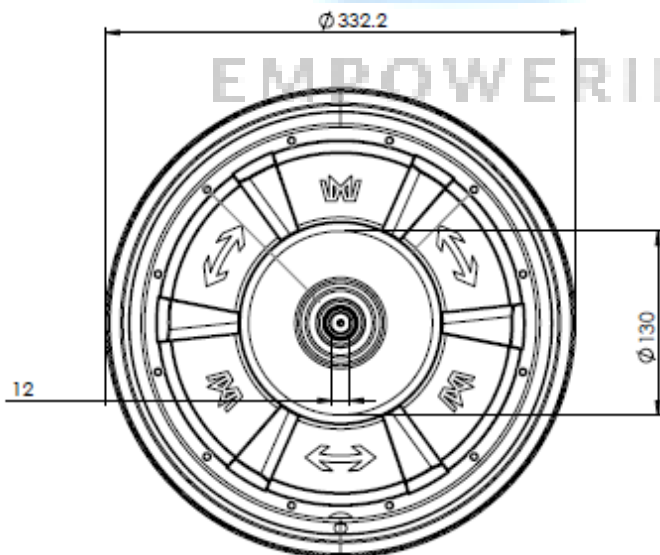
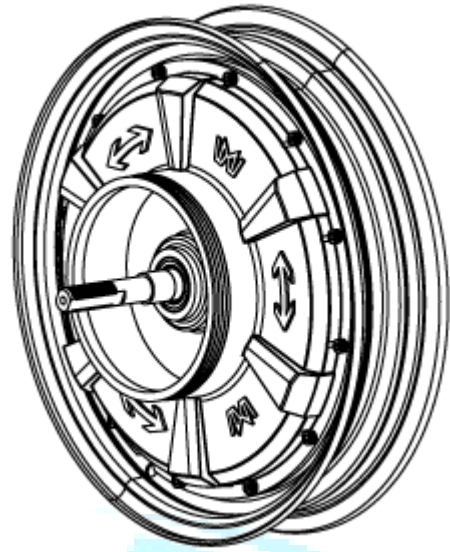


Product Features

Application : - 2-Wheeler
Motor Type : - Hub Motor

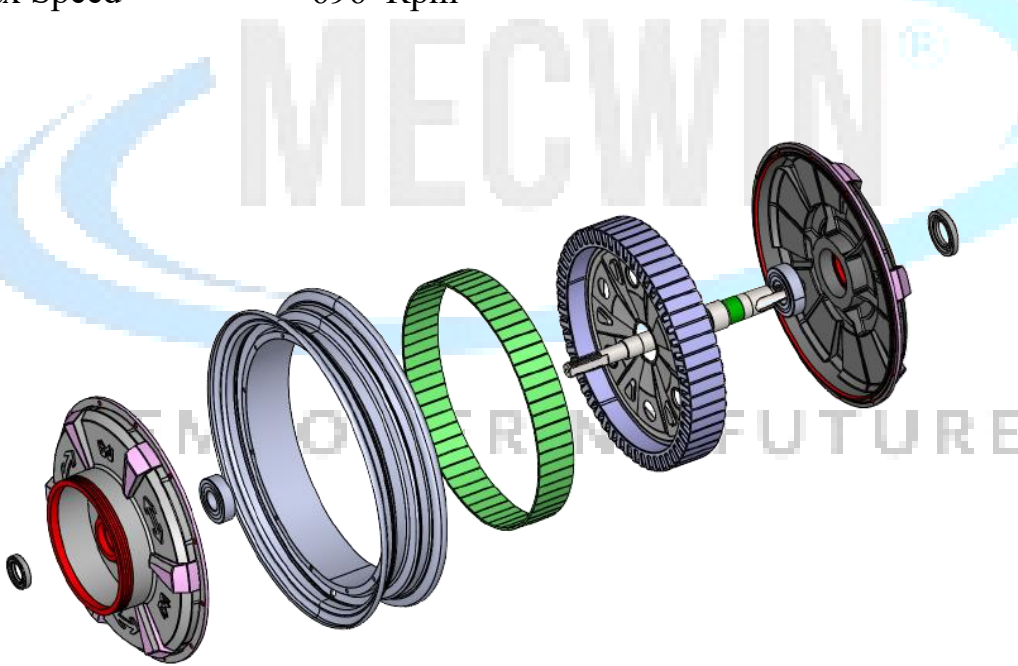
Motor Specifications

Outer Diameter : - 332 mm
Shaft Length : - 275 mm
Break Size : - 130 mm Drum
Swing arm Distance :-192.5 mm
IP Level : - IP67



Motor Specification

Operating Voltage	60 V
Rated Power	1.5 kW
Peak Power	2.3 kW
Rated Torque	23 Nm
Peak Torque@100 RPM	95 Nm
Max DC Current	45 A
Max Speed	696 Rpm

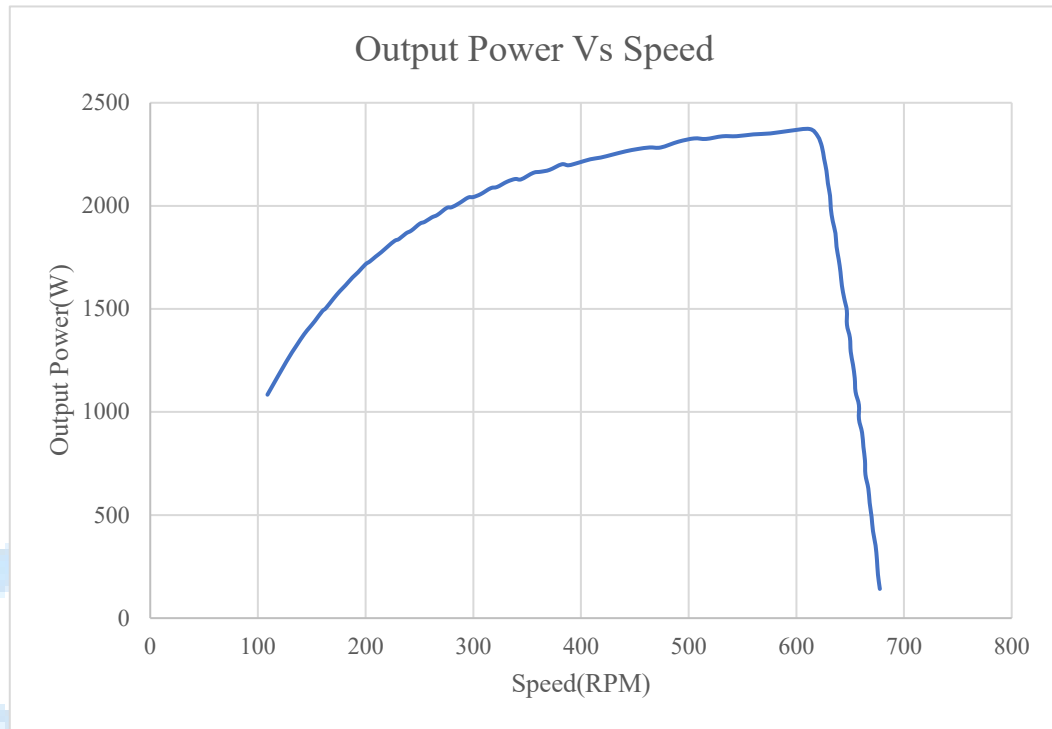


Performance Details

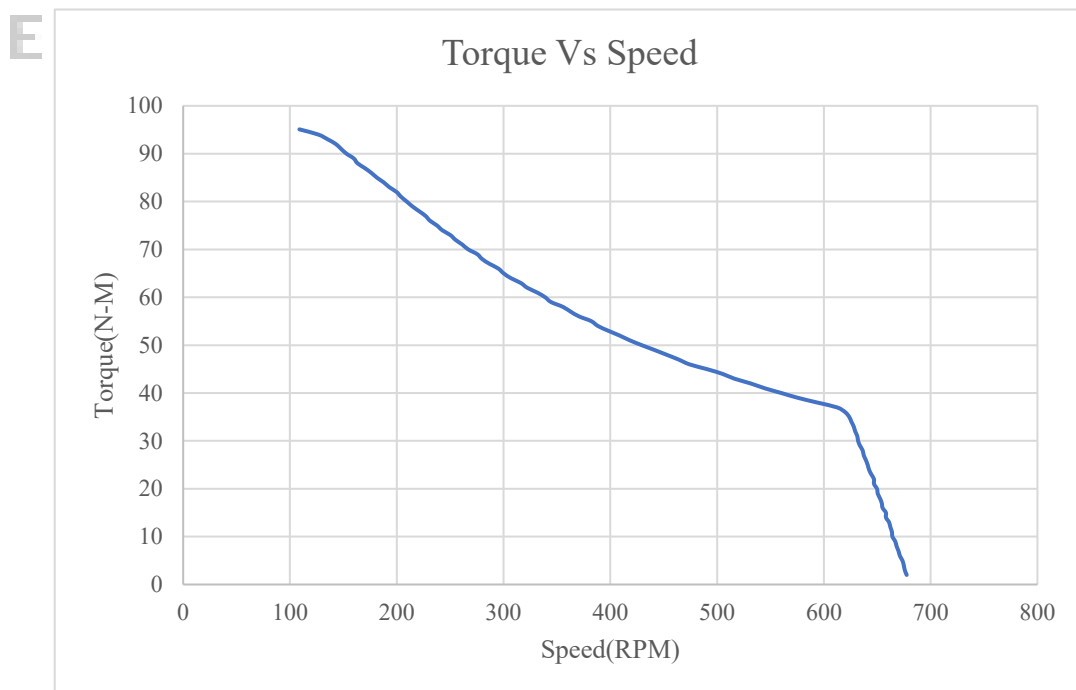
Parameters	DC Voltage	DC Current	RMS Line to Line Voltage	RMS Line Current	Input Power	Torque	Speed	Output power	System Efficiency
	V	A	V	A	W	Nm	RPM	W	%
No Load	61.73	4.50	45.46	3.86	278	1.5	696	109	39.27
Max Torque	60.12	38.34	14.84	89.24	2312	95.08	109	1085	46.88
Max Input Power	60.02	44.77	39.39	39.09	2687	41	545	2339	86.99
Max Output Power	59.95	44.58	43.47	35.27	2672	36.99	612	2370	88.77
Max Efficiency	60.10	40.53	44.2	31.78	2436	33	628	2116	91.00

Performance Curves

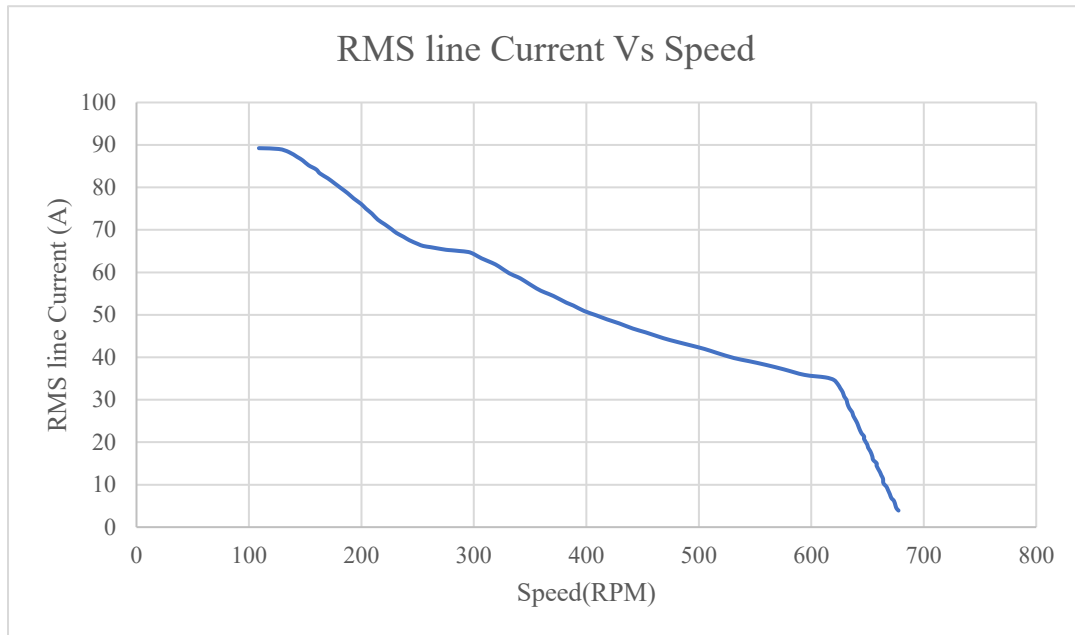
Output Power Vs Speed



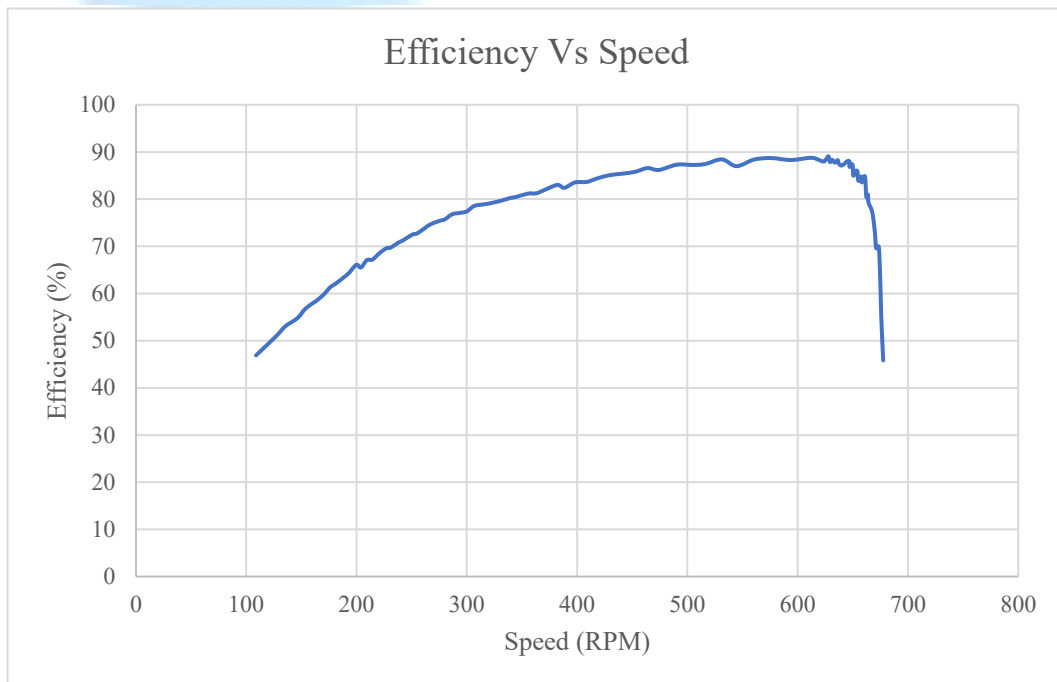
Torque Vs Speed



Current Vs Speed



Efficiency Vs Speed



Load Test Data

DC Voltage	DC Current	RMS line to line Voltage	RMS line Current	Input Power	Torque	Speed	Output Power	System Efficiency
V	A	V	A	W	N-m	RPM	W	%
60.73	4.50	45.46	3.86	278	1.5	696	109	39.27
60.30	5.16	44.24	3.91	309	2.0	678	142	45.82
59.93	10.12	44.23	6.87	606	6.0	671	422	69.59
60.21	25.89	44.16	19.47	1558	19.9	650	1360	87.34
59.99	32.10	44.21	24.40	1924	25.0	641	1679	87.28
59.89	44.58	43.47	35.27	2672	36.9	612	2372	88.77
60.10	40.53	44.20	31.78	2436	33.0	628	2116	91.00
60.26	44.21	41.22	37.14	2650	38.9	576	2351	88.72
60.22	44.27	40.27	38.18	2655	40.0	560	2346	88.38
59.90	44.34	37.80	41.02	2658	43.0	516	2324	87.45
60.06	44.03	36.28	42.96	2647	44.9	491	2311	87.31
60.21	44.09	34.12	45.87	2652	48.0	453	2275	85.8
59.98	43.97	32.18	48.93	2647	51.0	418	2234	84.4
59.96	44.43	30.65	52.18	2666	54.0	388	2197	82.4
59.97	44.48	29.24	55.29	2666	56.9	363	2166	81.23
59.98	44.13	28.34	58.08	2645	59.0	344	2128	80.46
59.99	44.09	27.20	61.39	2642	61.9	322	2092	79.17
59.99	44.12	25.63	64.79	2645	66.0	295	2040	77.13
59.91	44.02	24.25	65.31	2639	69.0	275	1990	75.41
59.96	43.60	23.84	65.68	2621	70.0	267	1957	74.64
59.95	43.94	22.66	66.68	2640	73.0	250	1913	72.45
59.90	44.21	22.05	68.35	2639	75.1	238	1867	70.75
59.97	43.30	20.17	76.08	2597	82.1	200	1716	66.08
59.95	43.53	19.57	78.62	2610	84.1	188	1653	63.31
60.10	43.01	18.40	83.28	2576	88.2	163	1504	58.38
59.96	42.70	17.45	86.34	2557	91.3	148	1409	55.11
59.97	40.89	16.13	89.05	2450	94.4	126	1245	50.81
60.12	38.34	14.84	89.24	2312	95.8	109	1084	46.88



EMPOWERING FUTURE